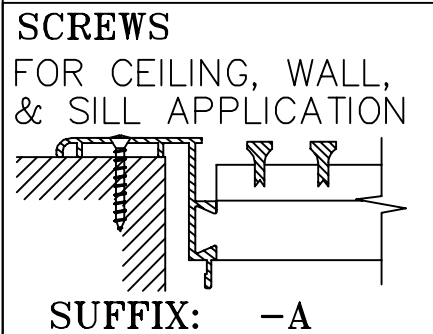


# OF BLADES = (LIST SIZE\*4)-3



NOT SUITABLE FOR FLOOR USE

<b>Dayus Register &amp; Grille Inc.</b> 5290 Pulleyblank St., Windsor On. N9A 6J3 Phone (519) 737-1199 Fax (519) 737-1631 <a href="http://www.dayus.com">www.dayus.com</a> Email <a href="mailto:sales@dayus.com">sales@dayus.com</a>	
MODEL NO. <b>DABLD-84-A</b>	
PRODUCT DESCRIPTION BAR LINEAR REGISTER - WALL, CEILING & SILL	
FACE BLADES HORIZONTAL FIXED	BLADE TYPE 1/8" BLADE ON 1/4" SPACING
DAMPERS OPPOSED BLADE	MATERIAL ALUMINUM
COLOR WHITE/SILVER/BROWN/MILL	DATE REVISED 3/28/13
FILE NAME 021 PDF Drawings\09 Bar Linear\080920 DABLD-84-A.DWG	