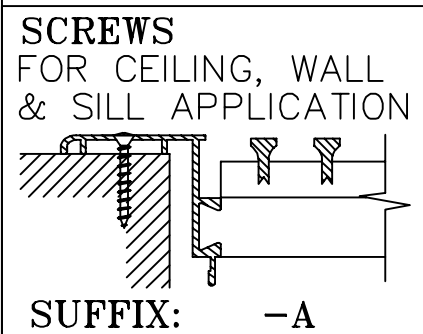



# OF BLADES = (LIST SIZE-1)\*2



NOT SUITABLE FOR FLOOR USE

 <b>Dayus Register &amp; Grille Inc.</b> 5290 Pulleyblank St., Windsor On. N9A 6J3 Phone (519) 737-1199 Fax (519) 737-1831 <a href="http://www.dayus.com">www.dayus.com</a> Email <a href="mailto:sales@dayus.com">sales@dayus.com</a>	
MODEL NO. <b>DABLD-15-A</b>	
PRODUCT DESCRIPTION BAR LINEAR REGISTER - WALL, CEILING & SILL	
FACE BLADES HORIZONTAL FIXED	BLADE TYPE 15"
DAMPERS OPPOSED BLADE	MATERIAL ALUMINUM
COLOR WHITE/SILVER/BROWN/MILL	DATE REVISED 3/4/13
FILE NAME 021 PDF Drawings\09 Bar Linear\080920 DABLD-15-A.DWG	