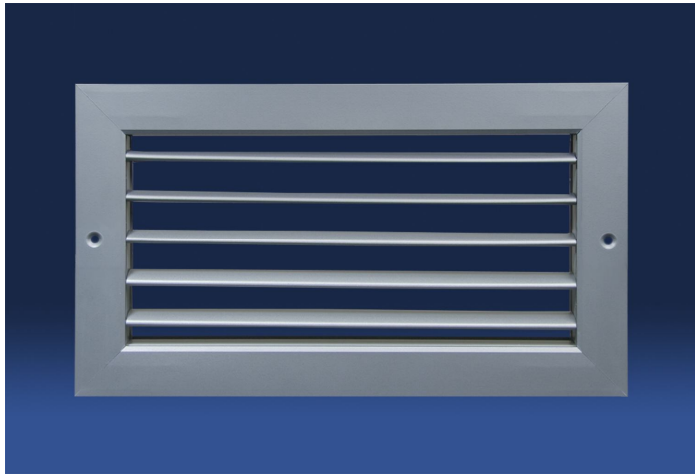
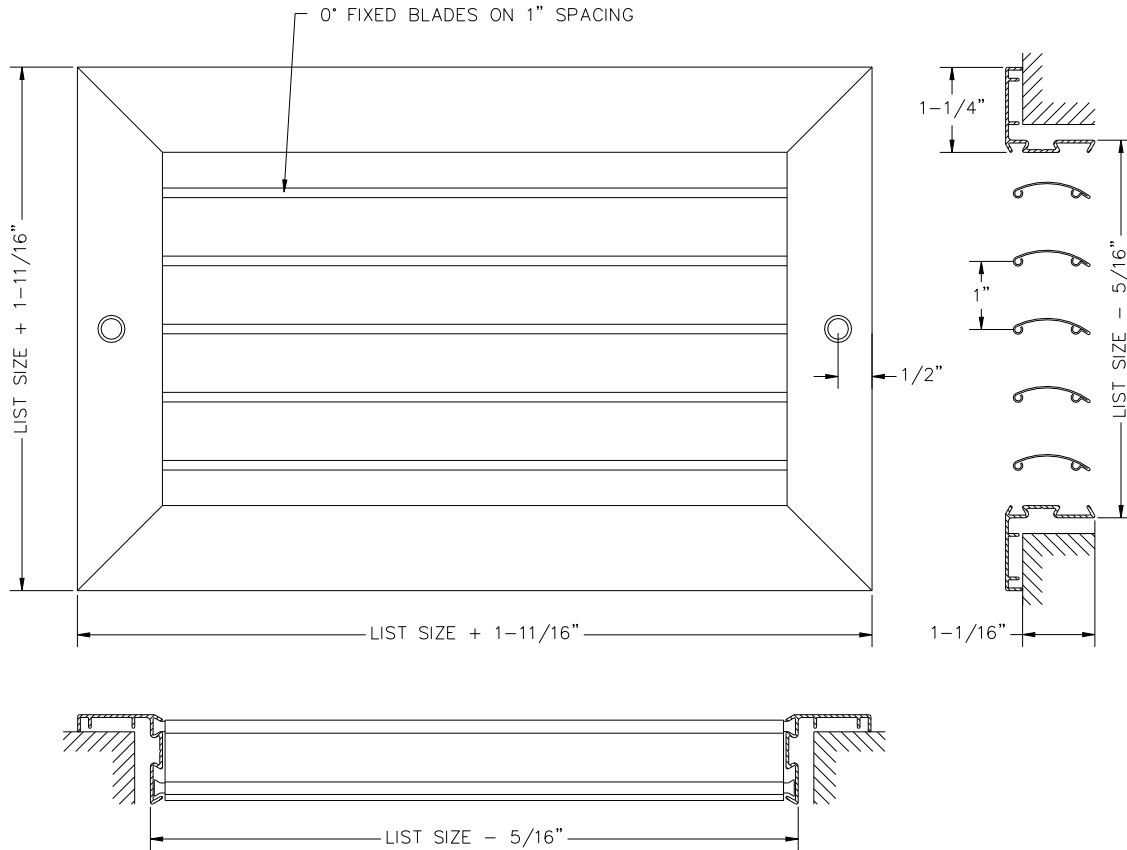


## Return Air Grille



### DARH1-S

- Horizontal blades fixed on 0° deflection and 1" spacing
- Aluminum roll-formed blade providing a stylish appearance
- Pressure fit nylon pivot pins (rattle free & non-loosening)
- Aluminum extruded frame with mechanically locked corners
- Countersunk screw holes c/w painted mounting screws
- Available on 2" increments as standard
- Custom sizes available, but extra charge may apply
- Max blade length is 22", mullions used for larger sizes
- Durable powder coat painted finish
- Available in White, Silver or Mill



<b>MODEL</b>	<b>DARH1-S</b>
<b>FACE BLADES</b>	Horizontal Fixed 0°
<b>REAR BLADES</b>	n/a
<b>DAMPER</b>	n/a
<b>MATERIAL</b>	Aluminum
<b>COLOR</b>	White/Silver/Mill

<b>JOB NAME:</b>	
<b>LOCATION:</b>	
<b>ARCHITECT:</b>	
<b>ENGINEER:</b>	
<b>CONTRACTOR:</b>	