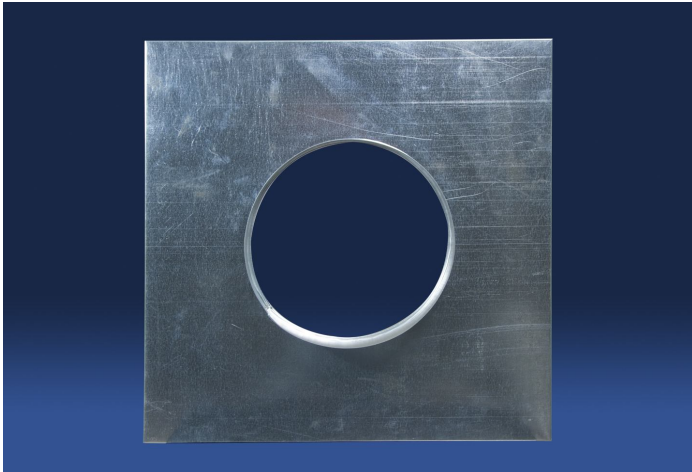
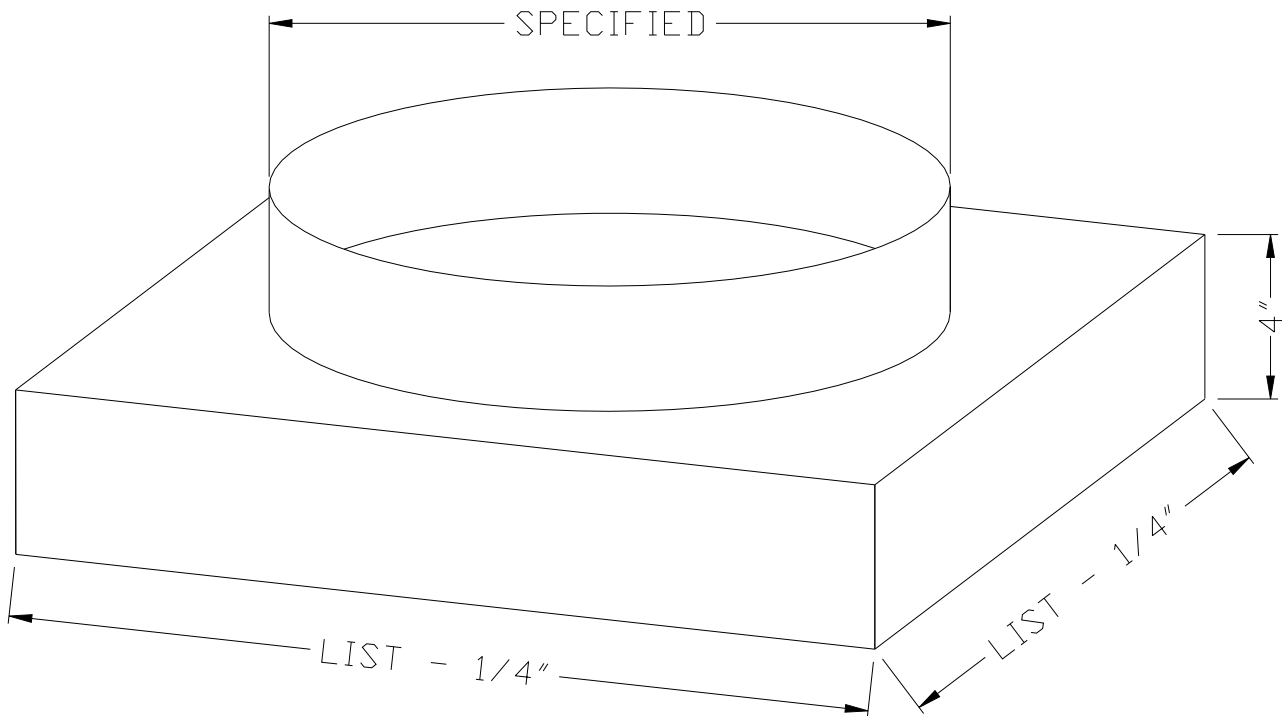


Square to Round Adapter



DSSR Ø

- Square to round adapter allows connections from rectangular grilles to round ducting
- 26 gauge galvanized
- Square dimensions available on 1" increments
- Round dimension available on 2" increments from as small as 6" to as big as 18" in diameter (Must be 2" smaller than the square dimension)



MODEL	DSSR Ø
FACE BLADES	n/a
REAR BLADES	n/a
DAMPER	n/a
MATERIAL	Galvanized
COLOR	Mill

JOB NAME: _____

LOCATION: _____

ARCHITECT: _____

ENGINEER: _____

CONTRACTOR: _____