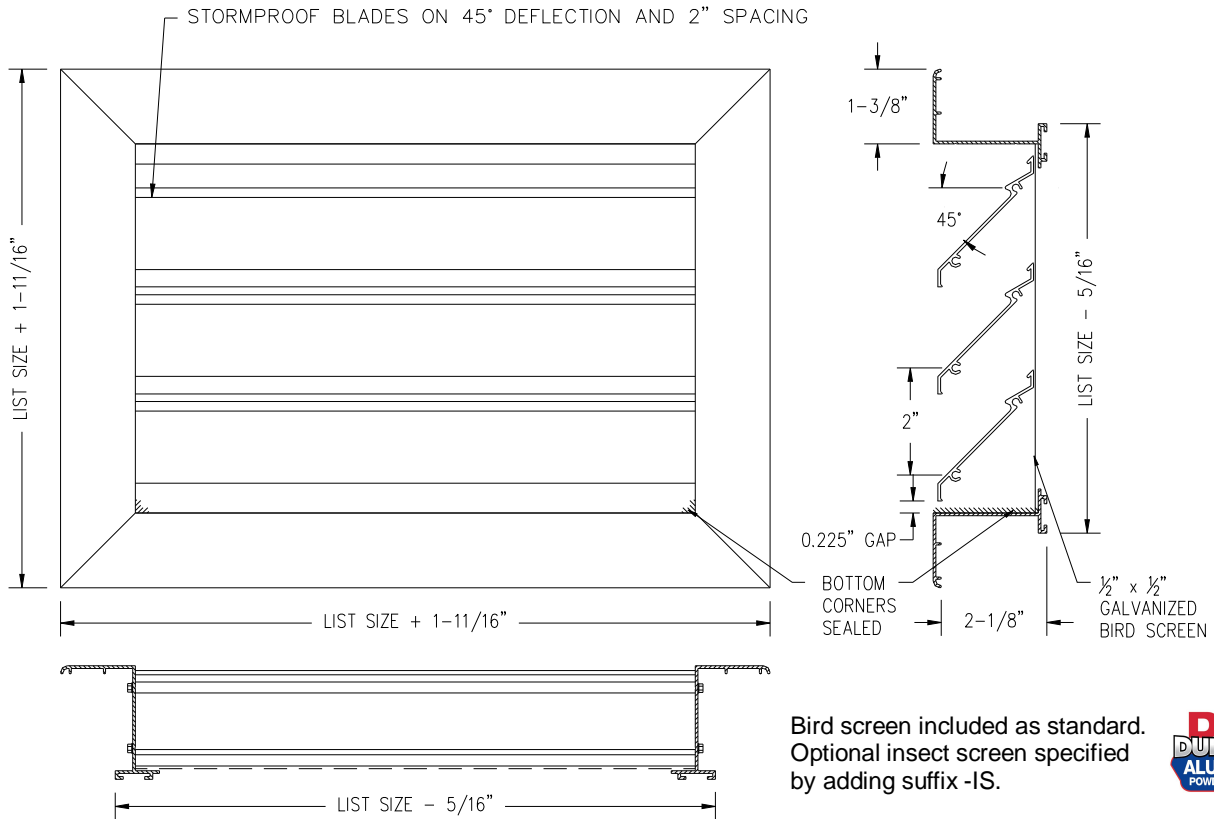


2" Stormproof Louver



DAL2-FF

- Extruded Stormproof blades on 2" spacing designed to prevent water infiltration while maximizing free area
- Heavy-duty aluminum extruded frame with mechanically locked mitre corners for exterior use
- Available on 1" increments as standard.
- Max blade length is 36"; mullions used for larger sizes
- Min Height 6". Max one piece size 72" x 72".
- Larger pieces are manufactured in sections and provided with aligning pins for ease of installation on jobsite
- Other sizes available, but extra charge may apply
- Bird screen included as standard; insect screen optional
- Available in Mill as standard – durable powder coat painted White, Silver, Brown or Special* finishes are also available



MODEL	DAL2-FF
FACE BLADES	45° Storm Proof
THICKNESS	0.050"
SCREEN	Bird Screen
MATERIAL	6063-T5 Aluminum
COLOR	White/Silver/Mill Brown/Special*

JOB NAME: _____

LOCATION: _____

ARCHITECT: _____

ENGINEER: _____

CONTRACTOR: _____