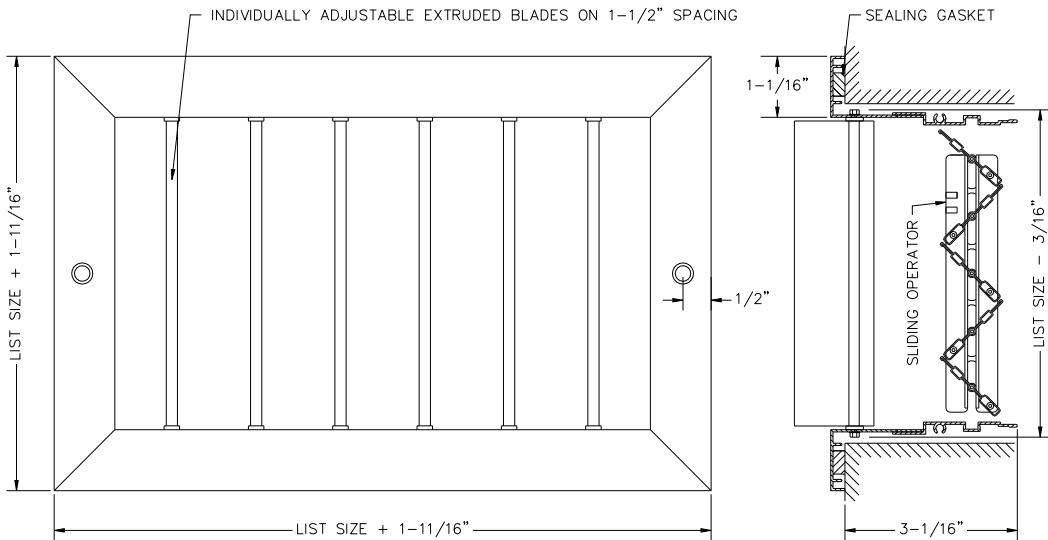


# Single Deflection Industrial Supply Register

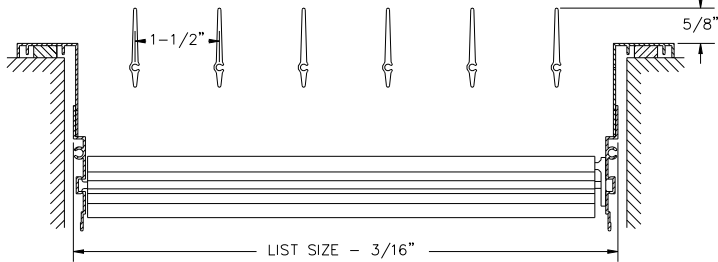


## DAIGVD

- Vertical individually adjustable blades on 1-1/2" spacing provide a large free area
- Opposed Blade Damper with slide operator
- Extruded aluminum blade with semi-airfoil design
- Aluminum extruded frame with mechanically locked corners
- Countersunk screw holes c/w painted mounting screws
- Sealing gasket to prevent streaking on walls or ceiling
- Available on 2" increments as standard
- Custom sizes available, but extra charge may apply
- Max blade length is 26", mullions used for larger sizes
- Durable powder coat painted finish
- Available in White, Silver or Special\*



Standard blade option shown. See Industrial Register Options page.



<b>MODEL</b>	<b>DAIGVD</b>
<b>FACE BLADES</b>	Vertical Adjustable
<b>REAR BLADES</b>	n/a
<b>DAMPER</b>	Opposed Blade
<b>MATERIAL</b>	Aluminum
<b>COLOR</b>	White/Silver/Special*

**JOB NAME:** \_\_\_\_\_

**LOCATION:** \_\_\_\_\_

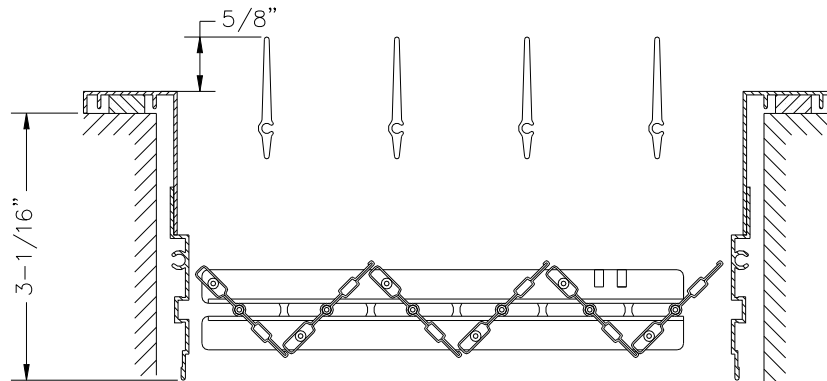
**ARCHITECT:** \_\_\_\_\_

**ENGINEER:** \_\_\_\_\_

**CONTRACTOR:** \_\_\_\_\_

**Industrial Register Options**

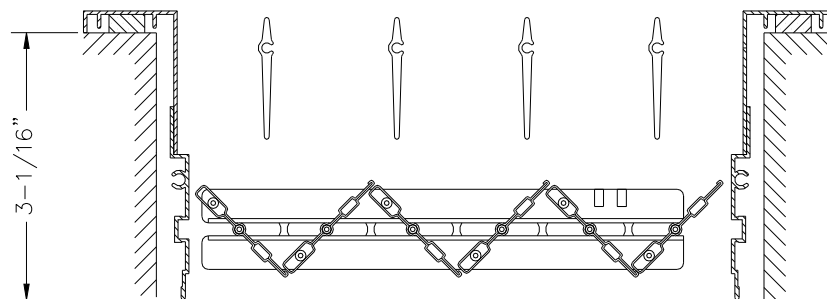
Standard



Blades on the standard blade option can extend out 5/8".  
Do not specify this option when in a location that may cause a safety concern.

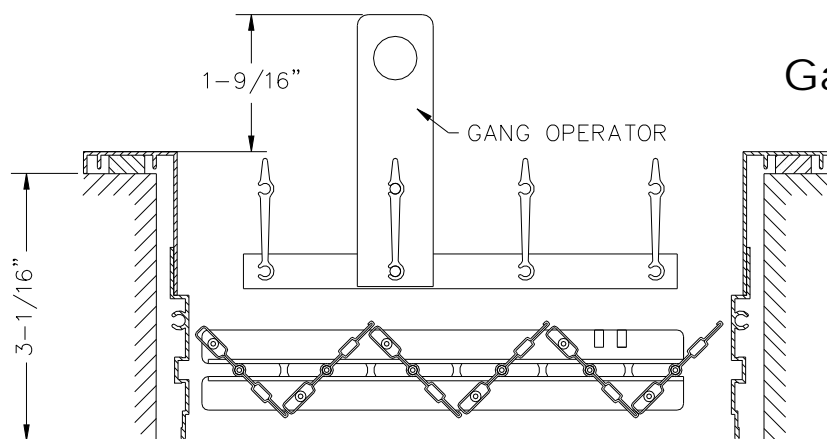
-R

Recessed blades



-G

Gang operator



Gang operator can extend out up to 1-9/16".  
Do not specify this blade option for a location where it may cause a safety concern.  
Extra operator installed every 26". Only available with -R recessed blade option.