

Return Air 4" Filter Grille

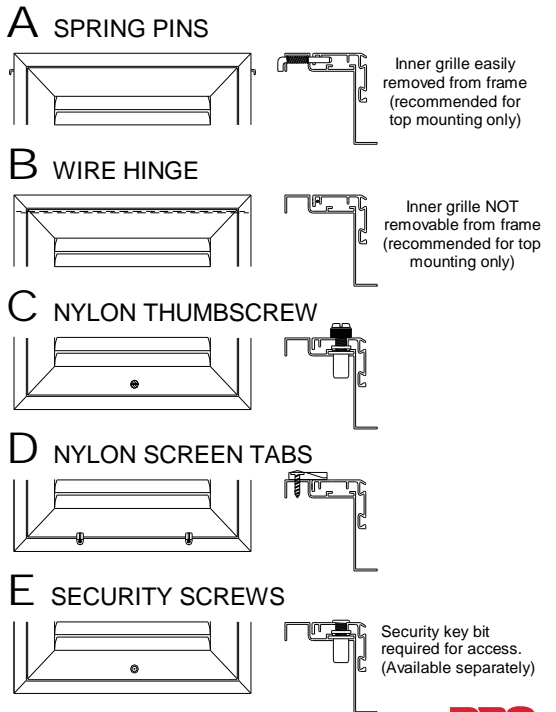
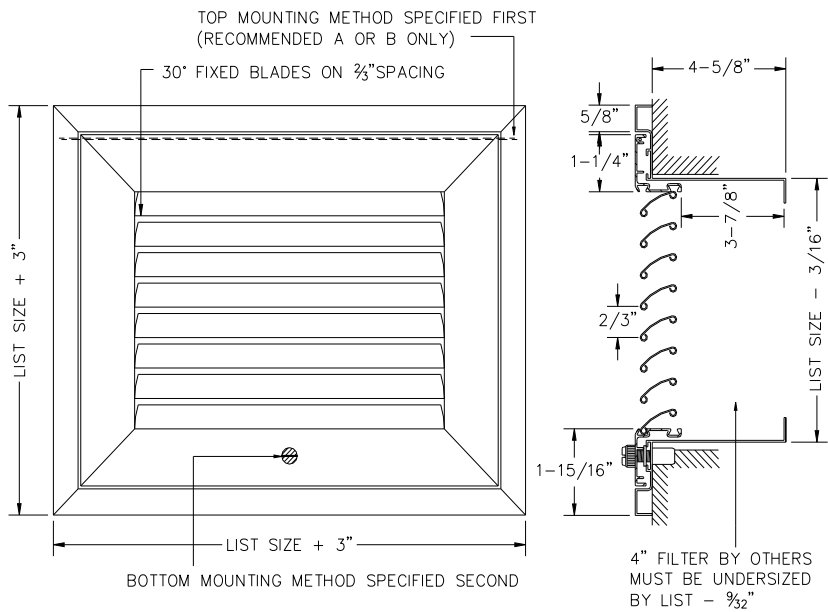


DARH-FG4 B&C shown

DARH-FG4 ^{Top}option & ^{Bottom}option

OPTIONS - A, B, C, D OR E
Must Specify Both

- Designed to fit most 4" filters (must be undersized ⁹/₃₂"
- Horizontal blades fixed on 30° deflection and 2/3" spacing
- Aluminum roll-formed blades provide a stylish appearance
- Pressure fit nylon pivot pins (rattle free & non-loosening)
- Aluminum extruded frame with mechanically locked corners
- A or B type hinges are recommended on top. If hinged on bottom then damage may occur
- Available on 2" increments as standard
- Custom sizes available, but extra charge may apply
- Max blade length is 22", mullions used for larger sizes
- Durable powdercoat painted finish
- Available in White, Silver or Mill



•Note: 1" Filter can be specified by changing the suffix to -FG
2" Filter can be specified by changing the suffix to -FG2



MODEL	DARH-FG4 ^{Top} option & ^{Bottom} option
FACE BLADES	Horizontal Fixed 30°
REAR BLADES	n/a
DAMPER	n/a
MATERIAL	Aluminum
COLOR	White/Silver/Mill

JOB NAME: _____

LOCATION: _____

ARCHITECT: _____

ENGINEER: _____

CONTRACTOR: _____