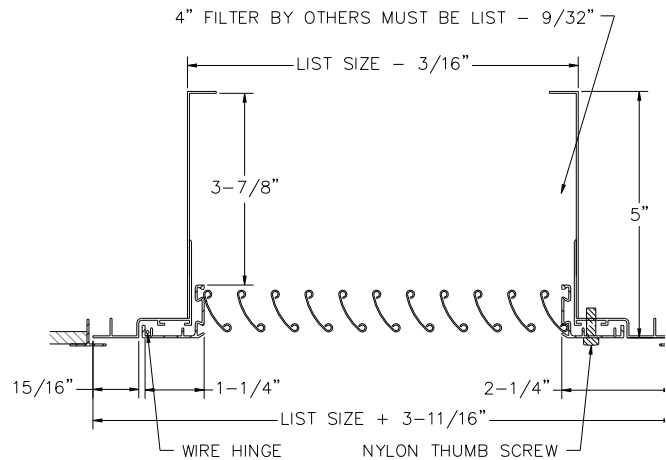
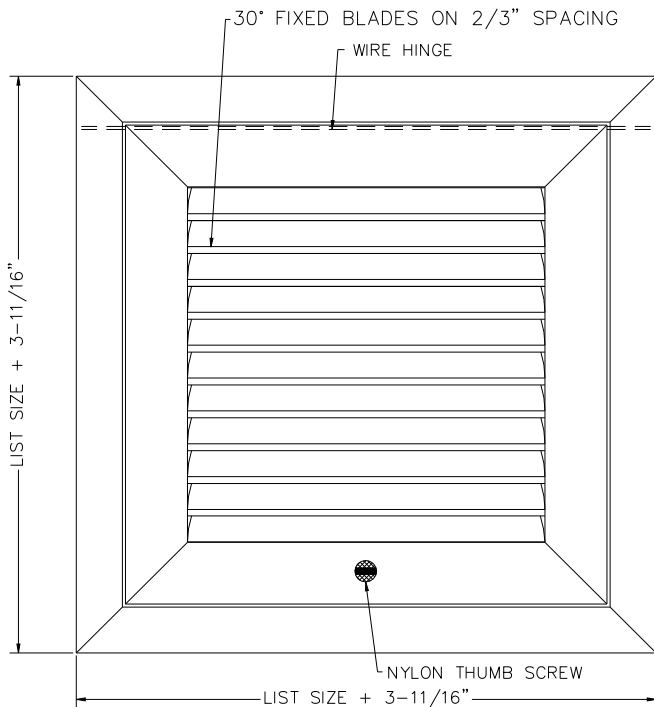


## T-Bar Return Air 4" Filter Grille



### DARH-FG4-TB

- Designed to fit most 4" filters (must be undersized  $\frac{9}{32}$ " )
- Horizontal blades fixed on 30° deflection and  $\frac{2}{3}$ " spacing
- Aluminum roll-formed blades provide a stylish appearance
- Pressure fit nylon pivot pins (rattle free & non-loosening)
- Aluminum extruded frame with mechanically locked corners
- Available on 2" increments as standard
- Custom sizes available, but extra charge may apply
- Max blade length is 22", mullions used for larger sizes
- Durable powder coat painted finish
- Available in White, Silver or Mill



**Note:**

- 1) B&C Mounting is automatically installed on T-bar units  
Other options can be specified (excluding mounting A)  
Spring Pins will not be accessible
- 2) Order 4" under T-bar size  
e.g. 20"x20" list size has an O.D. equal to  $23-\frac{11}{16}$ " x  $23-\frac{11}{16}$ "

- Note: 1" Filter can be specified by changing the suffix to -FG
- 2" Filter can be specified by changing the suffix to -FG2



MODEL	DARH-FG4-TB
FACE BLADES	Horizontal Fixed 30°
REAR BLADES	n/a
DAMPER	n/a
MATERIAL	Aluminum
COLOR	White/Silver/Mill

**JOB NAME:** \_\_\_\_\_

**LOCATION:** \_\_\_\_\_

**ARCHITECT:** \_\_\_\_\_

**ENGINEER:** \_\_\_\_\_

**CONTRACTOR:** \_\_\_\_\_