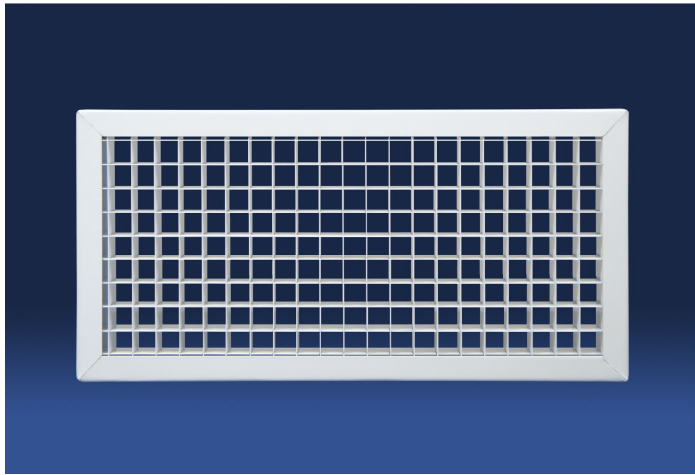
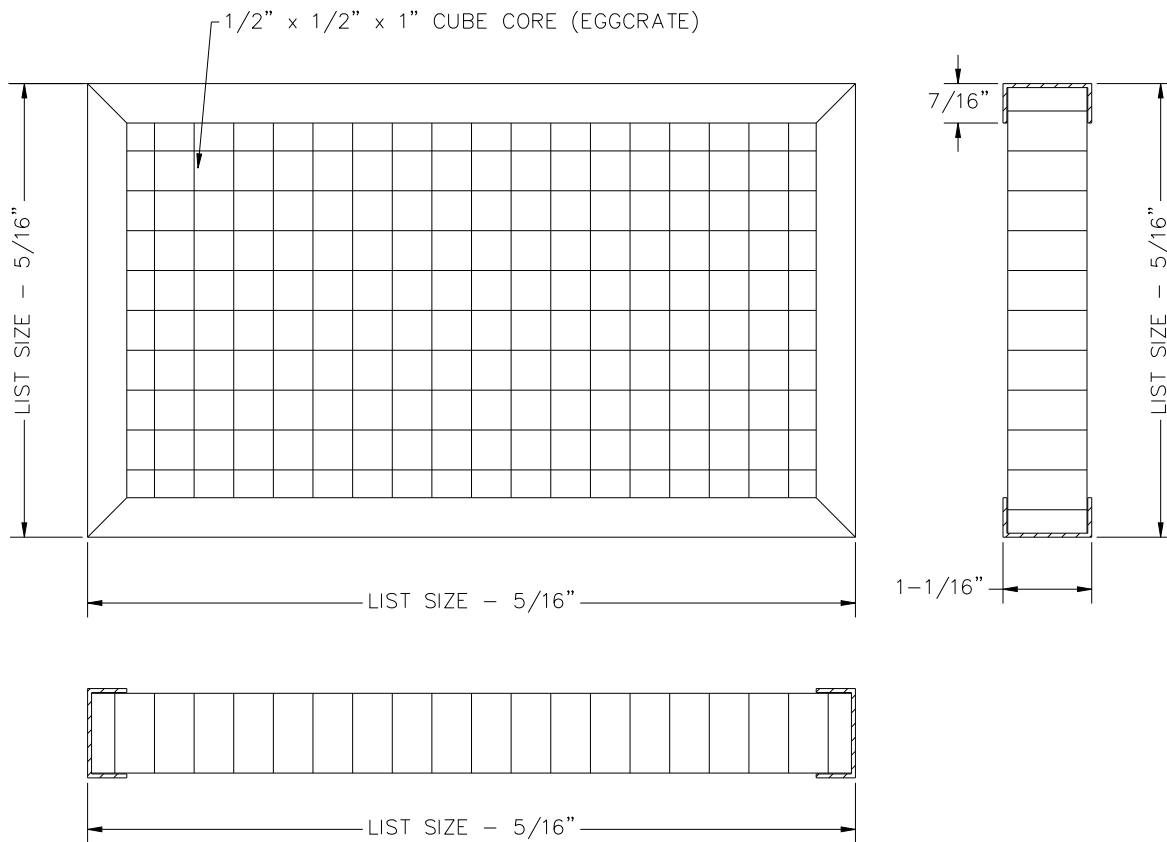


1/2" x 1/2" x 1" Cube Core (Eggcrate) Grille



DARE5.1U

- 1/2" x 1/2" x 1" aluminum eggcrate core has a high free area for minimum pressure loss
- Recommended for T-Bar use
- Neat appearance often matches luminaries
- Aluminum U-Frame to protect edges
- Available on 2" increments as standard
- Custom sizes available, but extra charge may apply
- Durable powder coat painted finish
- Available only in White or Special*



MODEL	DARE5.1U
FACE BLADES	1/2" x 1/2" x 1"
REAR BLADES	n/a
DAMPER	n/a
MATERIAL	Aluminum
COLOR	White or Special*

JOB NAME: _____

LOCATION: _____

ARCHITECT: _____

ENGINEER: _____

CONTRACTOR: _____